

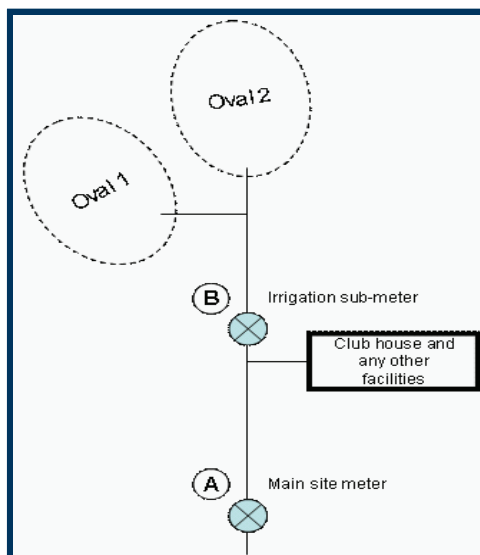
QWC - Extract - Watering Times and Water Meters

The following information is an outline of requirements that an active playing surface must meet under Level 5 restrictions.

1. Only irrigate active playing surfaces under the following conditions:
 - the watering is done so in accordance with an approved WEMP; or
 - watering is conducted between Tuesday 8.00 pm and Wednesday 4.00 am each week.
2. Install a dedicated irrigation water meter.

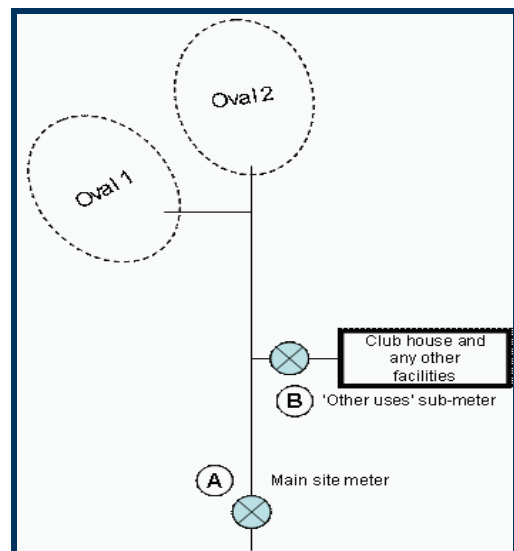
Since 31 May 2007, all active playing surfaces using town water to irrigate their surfaces must install a dedicated water meter. The installation of a water meter is considered regulated work, and it will be necessary to obtain council (plumbing) approval to ensure that this work has been undertaken correctly. This water meter must be able to be used to determine how much water is being used to irrigate and active playing surface. The water meters can be installed as follows:

Figure 1: Dedicated irrigation water meter.



Irrigation use = B

Figure 2: Sub-meter installation



Irrigation use = A - B

Where the bold letter indicates a meter reading value from the location specified in the figure.