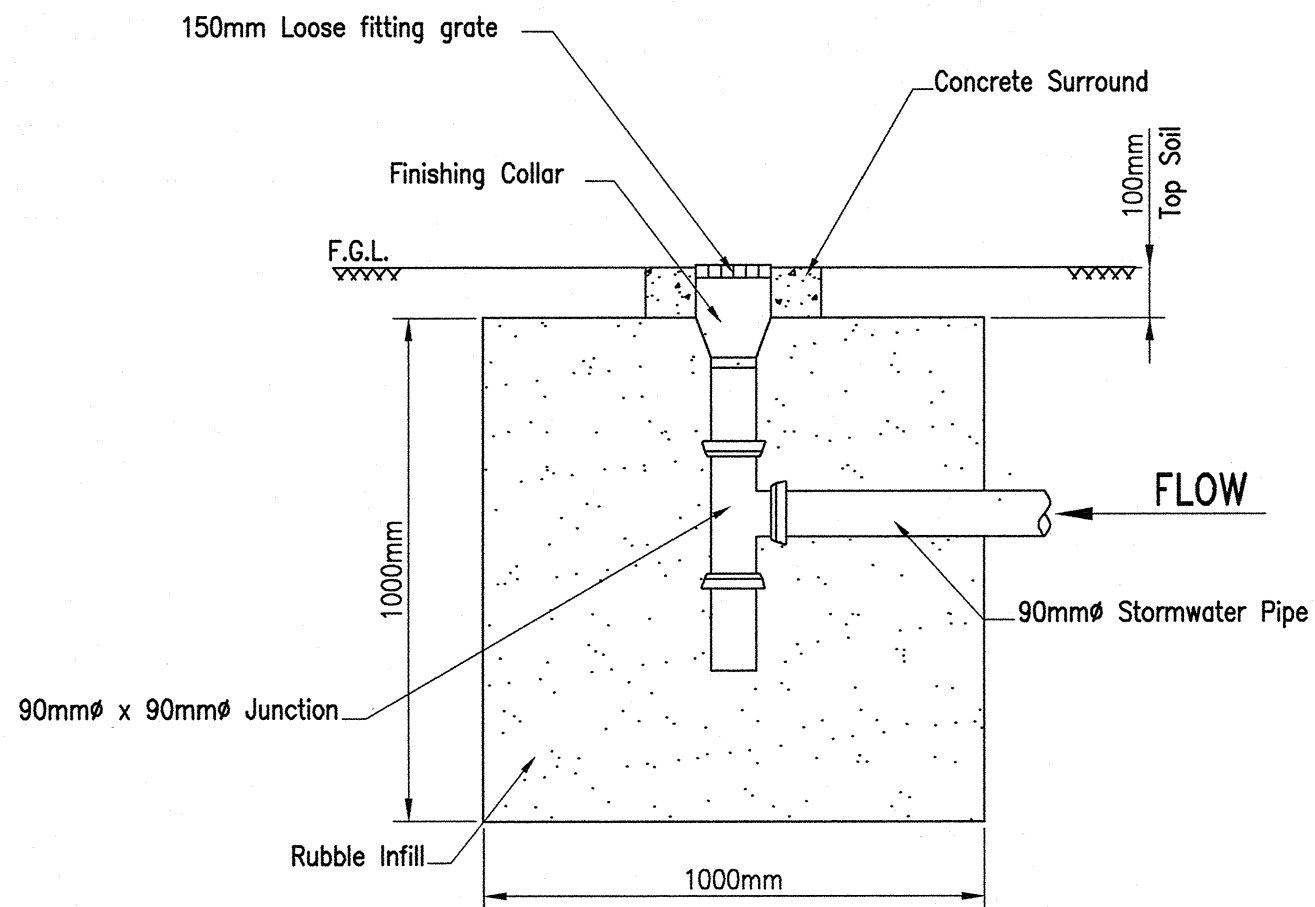


PLAN
NTS



SECTION A-A
NTS

SOAKAGE PIT

NOTES

1. The soakage pit should be positioned well clear of all property boundaries and structures on site.
2. Where required, the pipe type and diameter is to be increased in accordance with AS 3500.3
3. All dimensions are in millimetres unless shown otherwise.
4. This is a general arrangement only. Advice should be sought from an appropriately qualified person as to the suitability of the soakage pit for its intended purpose.

LEGEND

- D.P. Downpipe
- NTS Not To Scale
- Ø Diameter
- F.G.L. Finished Ground Level

REVISIONS					
AMENDMENT	INITIALS	DATE	AMENDMENT	INITIALS	DATE
F			L		
E			K		
D			J		
C			I		
B			H		
A			G		

IPSWICH CITY COUNCIL
 45 Roderick St
 P.O. Box 191
 Ipswich QLD 4305
 Australia

Tel (07) 3810 7894
 Tel (07) 3810 7927
 Fax (07) 3810 7950

APPROVED
J. Adams
 CHIEF OPERATING OFFICER (P&D)
 DATE 17/2/12

GUIDELINE DRAWING

SOAKAGE PIT FOR DOMESTIC STORMWATER DRAINAGE

DRAINAGE

39522

REV: B DRAWER: 100