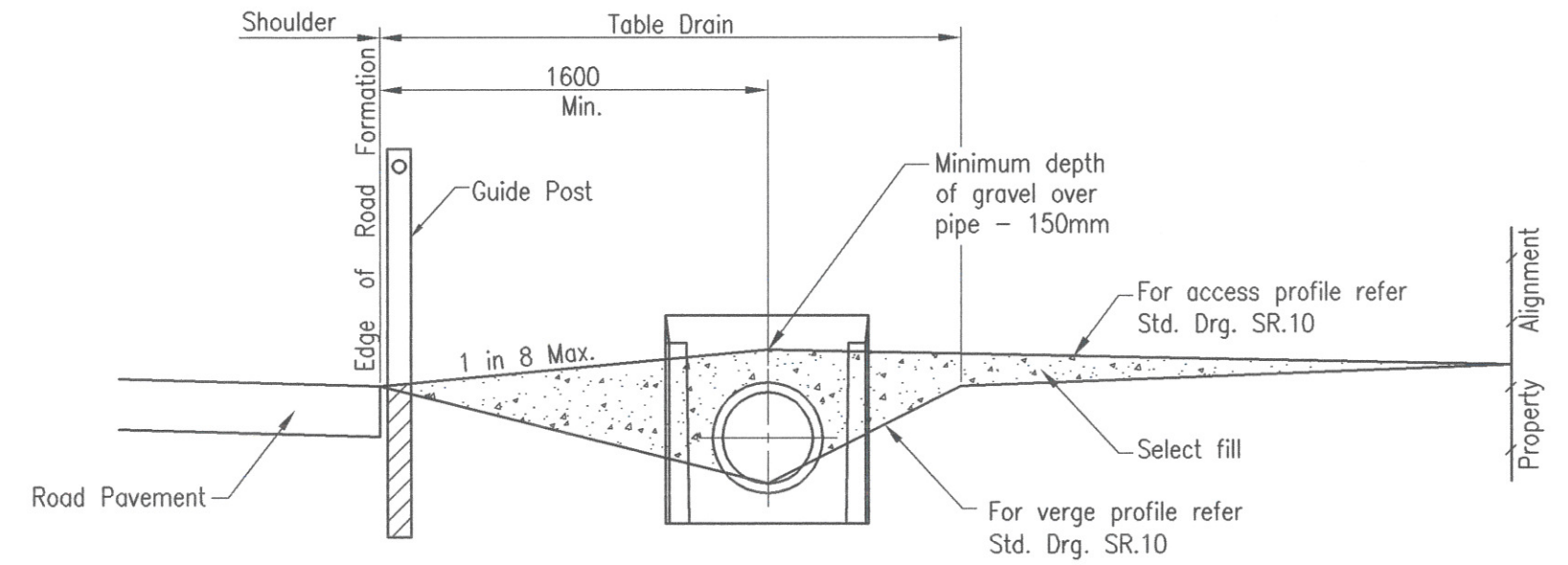




PLAN



SECTION A - A

NOTES

1. Pipe crossing configuration and dimensions are consistent with standard road and verge crossfalls (3% and 2.5% respectively) and must not be used without Council approval where these crossfalls are inconsistent. The verge profile for access may be varied to suit difficult or existing situations with approval from Council's Engineer.
2. Length of pipe may be increased provided approval is granted.
3. Council will approve stone pitched concrete headwalls.
4. Minimum pipe diameter to be 375mm unless otherwise approved by Council's Engineer.
5. Not for use on State controlled roads.
6. The pipe shall be positioned in the table drain so that it does not impede the flow of water in the table drain. The levels of the ends of the pipe shall be such that ponding of water will not occur in the pipe.
7. Minimum pipe grade to be 0.5%.
8. A vehicular access permit must be obtained from Council. Seek approval of location and levels prior to excavation.
9. For all vehicular accesses on Department of Transport & Main Roads declared road, Department of Transport & Main Roads approval is required.
10. Dimensions are in millimetres unless noted otherwise.

REVISIONS						
AMENDMENT	INITIALS	DATE	AMENDMENT	INITIALS	DATE	
F				L		
E				K		
D				J		
C				I		
B			Note 1 Added. Max Grade Added	H		
A			ORIGINAL ISSUE	G		

**IPSWICH CITY COUNCIL**  
 45 Roderick St  
 P.O. Box 191  
 Ipswich QLD 4305  
 Australia

Tel (07) 3810 7894  
 Tel (07) 3810 7927  
 Fax (07) 3810 7950

APPROVED  
  
 CHIEF OPERATING OFFICER (WPR)  
 DATE 5/9/12

**STANDARD DRAWING**  
 STANDARD RURAL ROAD DRIVEWAY PIPE CROSSING

ROADWORKS  
**SR.16**  
 REV: B DRAWER: 100